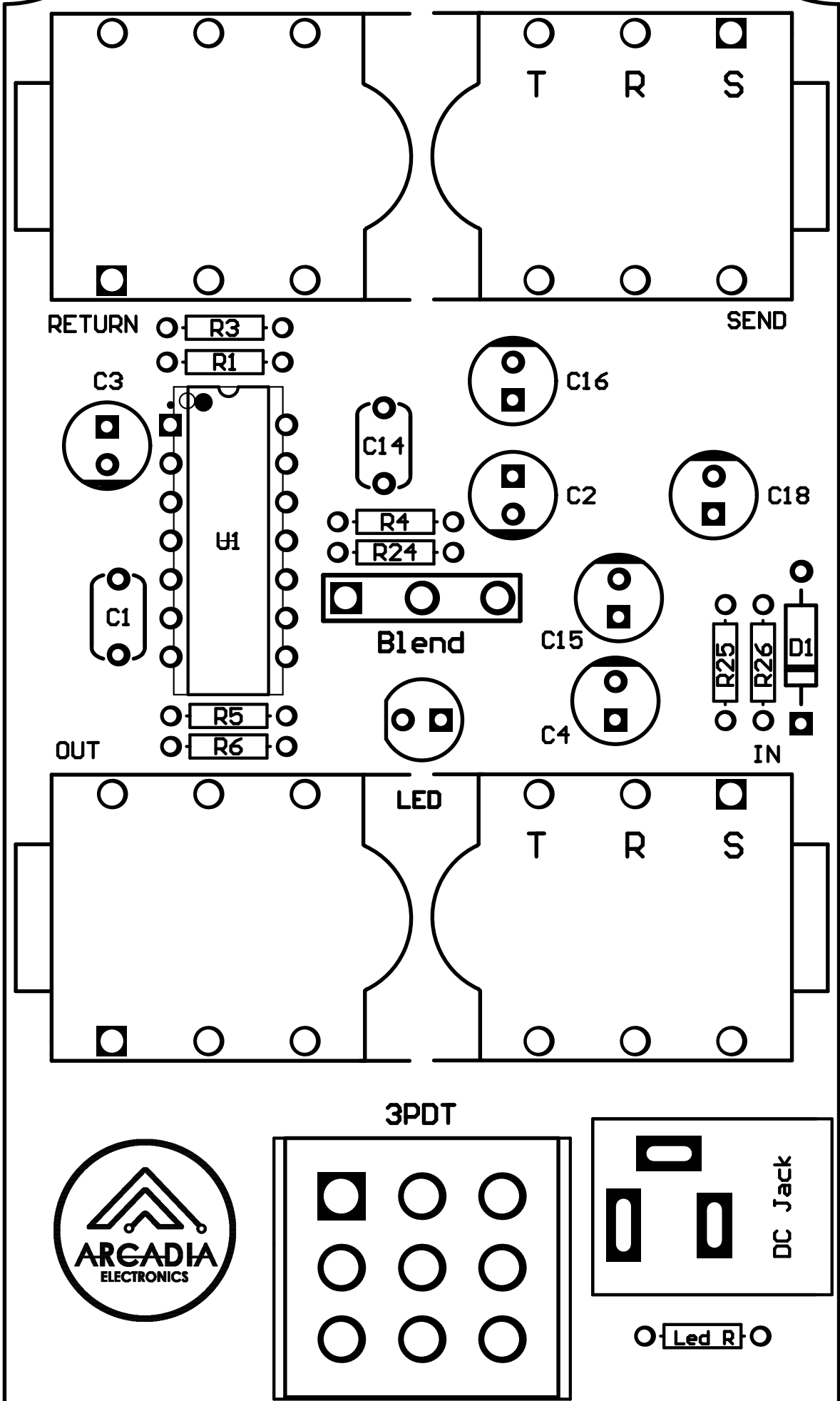


Buffered Effects Loop



Designator	Comment	Quantity
C1, C14	100n	2
C2, C3, C15, C16	1uF	4
C4, C18	47uF	2
D1	1N5819W	1
DC Jack	DC Jack, 2.1 mm	1
IN	NMJ6HCD2 In/ Out Jack	1
LED	LED	1
Led R	4.7k	1
OUT, RETURN, SEND	NMJ6HCD2 . In/ Out Jack	3
R1	100R	1
R2	B50k	1
R3	470k	1
R4, R5, R6, R24	1M	4
R25, R26	10k	2
SW	3PDT	1
U1	TL074	1