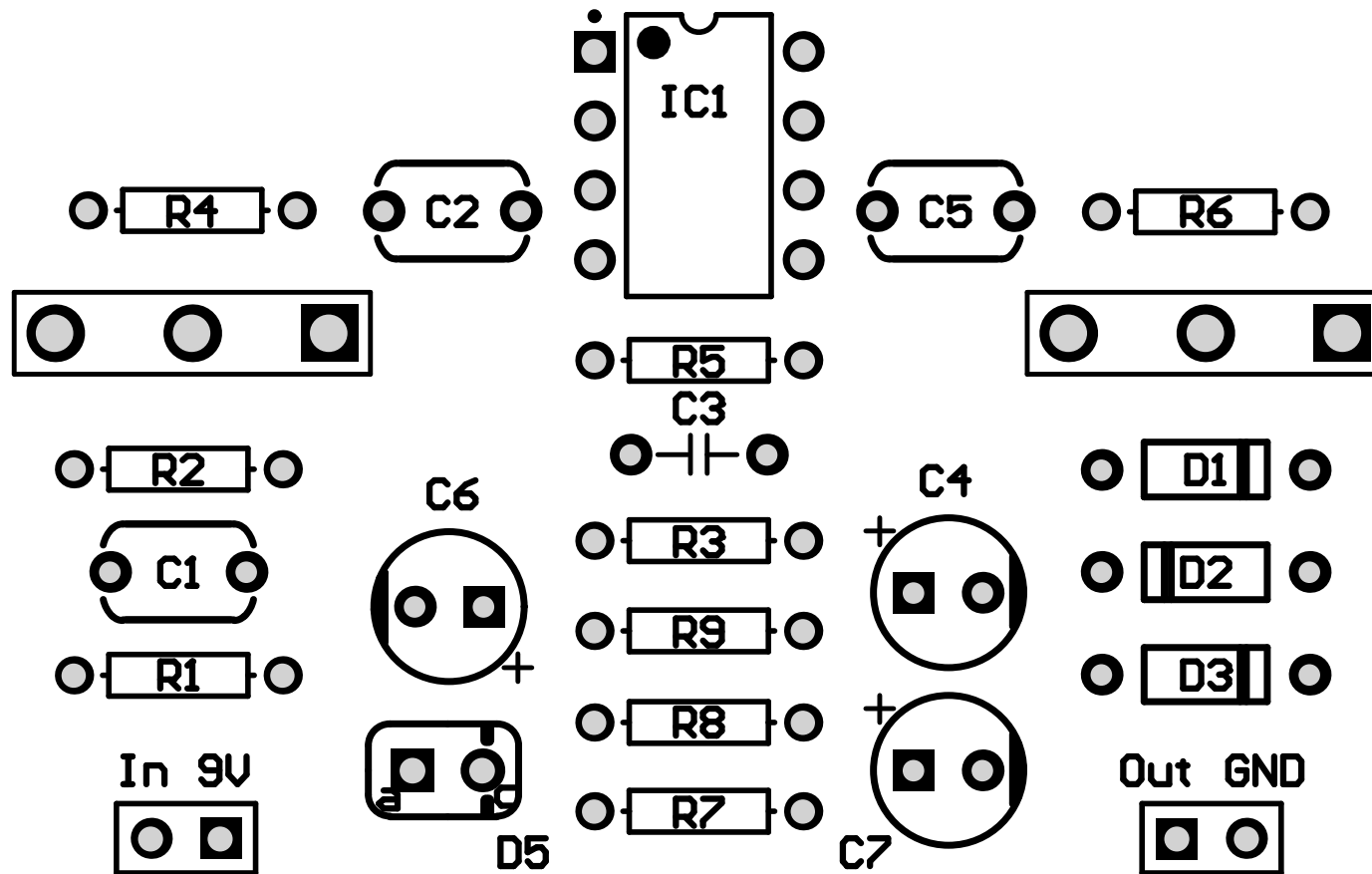


DODO

250



Designator	Comment	Quantity	Footprint
C1	.01uF	1	Metal Film Cap NP
C2	.047uF	1	Metal Film Cap NP
C3	25pF	1	Ceramic disc cap
C4	4.7uF	1	Electrolytic Capacitor +/-
C5	.001uF	1	Metal Film Cap NP
C6	100uF	1	Electrolytic Capacitor +/-
C7	10uF	1	Electrolytic Capacitor +/-
D1, D2, D3	1N4148	3	1n400X THT
D5	1N4007	1	Diode A C
GAIN	C500K	1	RV16AF-41-15R1-B2K
IC1	LM741	1	DIP8
In 9V, Out GND	Header 2	2	HDR1X2
R1	2M2	1	Axial 0.3
R2, R6	10K	2	Axial 0.3
R3, R5	1M	2	Axial 0.3
R4	4.7K	1	Axial 0.3
R7	100	1	Axial 0.3
R8, R9	22K	2	Axial 0.3
VOLUME	B100k	1	RV16AF-41-15R1-B2K