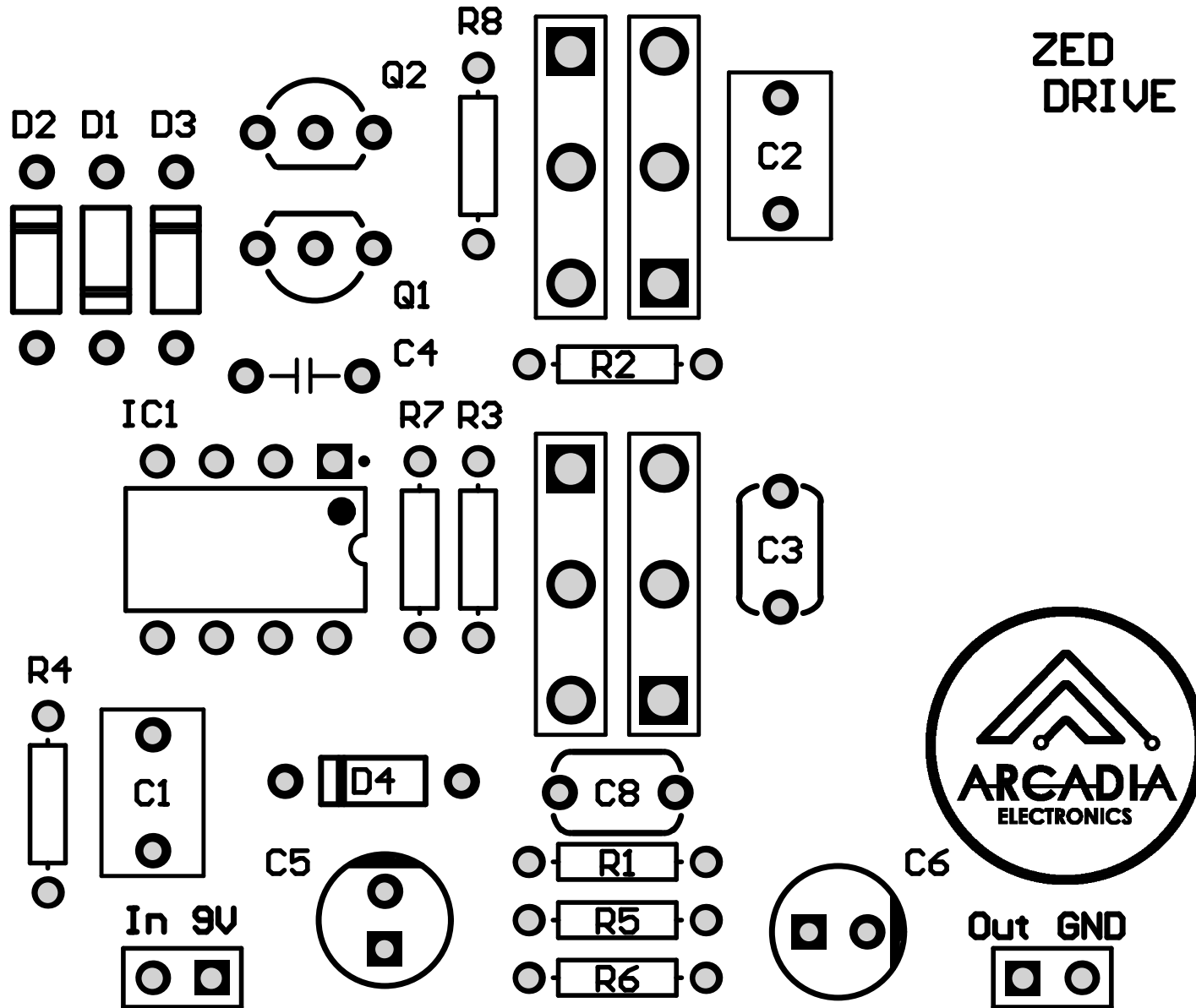


ZED  
DRIVE



Designator	Comment	Quantity	Description	Footprint
C1, C2	470n	2	Capacitor	Box Cap
C3	3.3n	1	Capacitor	Metal Film Cap NP
C4	100pF	1	Capacitor	Ceramic disc cap
C5	100uF	1	Capacitor	Electrolytic Capacitor
C6	47uF	1	Capacitor	Electrolytic Capacitor
C8	100n	1	Capacitor	Metal Film Cap NP
D1, D2, D3	BAT41	3	High Conductance Fast Diode	1n400X THT
D4	1N4007	1	High Conductance Fast Diode	1n400X THT
Gain	B500k	1	Potentiometer	Pot Centered - duplicate
IC1	MC1458	1	Dual High-Frequency Operational Amplifier	DIP8
In 9V, Out GND	Header 2	2	Header, 2-Pin	HDR1X2
Q1, Q2	2N7000	2	N-Channel MOSFET	2N7000
R1	470k	1	Resistor	Axial 0.3
R2, R5, R6	10k	3	Resistor	Axial 0.3
R3, R7, R8	1k	3	Resistor	Axial 0.3
R4	2.2M	1	Resistor	Axial 0.3
Tone	B50k	1	Potentiometer	Pot Centered - duplicate
Voice	B10k	1	Potentiometer	Pot Centered - duplicate
Vol	B100k	1	Potentiometer	Pot Centered - duplicate