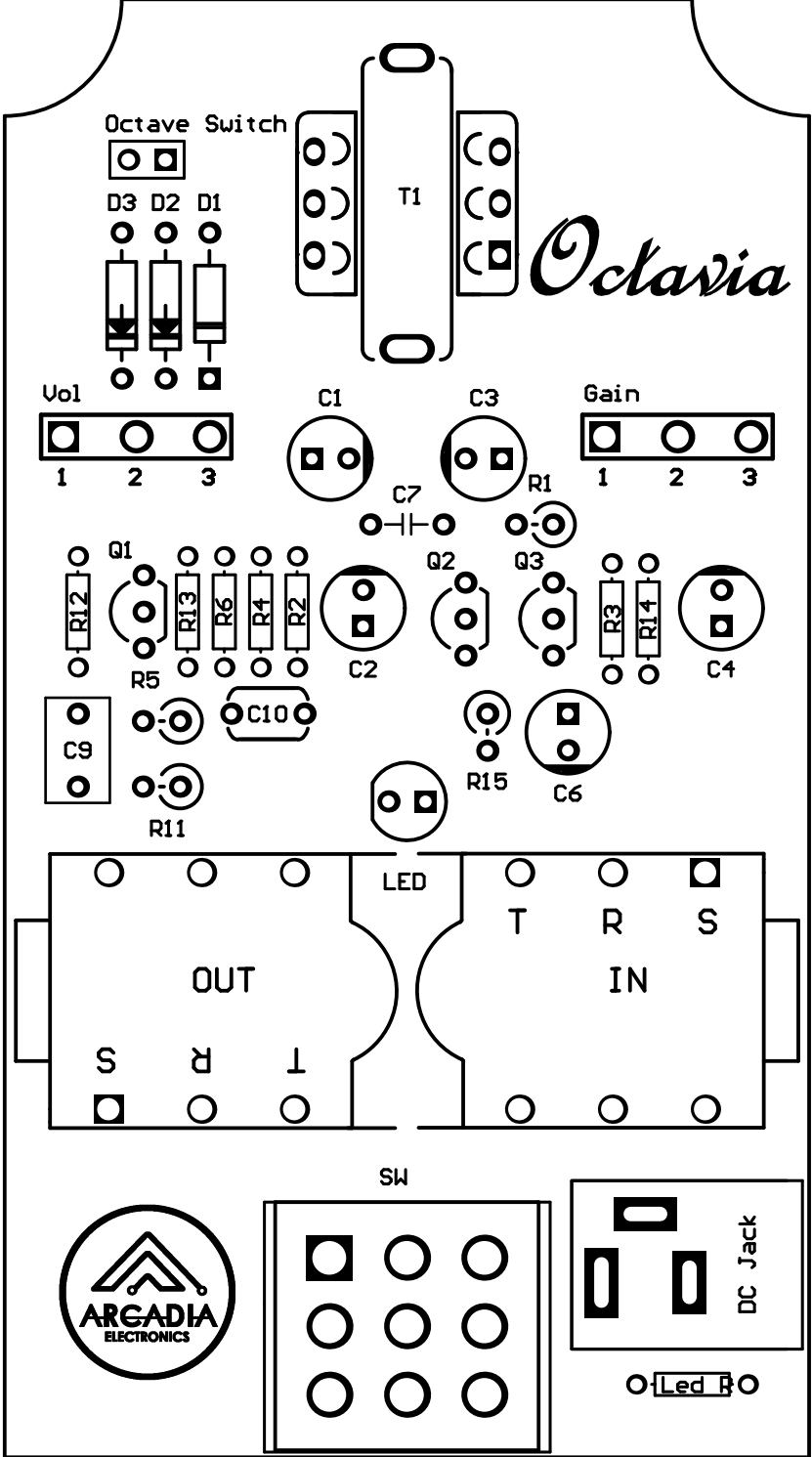


For selectable octave/Fuzz
 Use Spdt switch
 Or Jumper the pads
 For Standard version



Designator	Comment	Quantity	Description
C1, C4, C6	100uF	3	Polarized Capacitor (Radial)
C2, C3	33uF	2	Polarized Capacitor (Radial)
C7	150pF	1	Capacitor
C9	100n	1	Capacitor* Enlarge for more bass
C10	1n	1	Capacitor
D1	1N4001	1	1 Amp General Purpose Rectifier
D2, D3	1N34	2	1 Amp General Purpose Rectifier
DC Jack	DC Jack, 2.1 mm	1	DC Jack, 2.1 mm
Gain	B1k	1	Potentiometer
IN	NMJ6HCD2 In/ Out Jack	1	NMJ6HCD2
LED	LED	1	3mm Defused LED (Red)
Led R	4.7k	1	Resistor
Octave Switch	Jumper for standard version	1	Header, 2-Pin
OUT	NMJ6HCD2 . In/ Out Jack	1	NMJ6HCD2
Q1	2N3906	1	PNP transistor./2N5057/ 2N3906
Q2, Q3	2n5089	2	NPN General Purpose Amplifier
R1	1.2k	1	Resistor
R2	180k	1	Resistor
R3	47k	1	Resistor
R4	820k	1	Resistor
R5	1k	1	Resistor
R6	220R	1	Resistor
R11	1M	1	Resistor
R12	680k	1	Resistor
R13	220k	1	Resistor
R14	22k	1	Resistor
R15	470R	1	Resistor
SW	3PDT	1	Foot Switch 3PDT
T1	audio Transformer	1	Xicon 42TM022-RC
Vol	A100k	1	Potentiometer